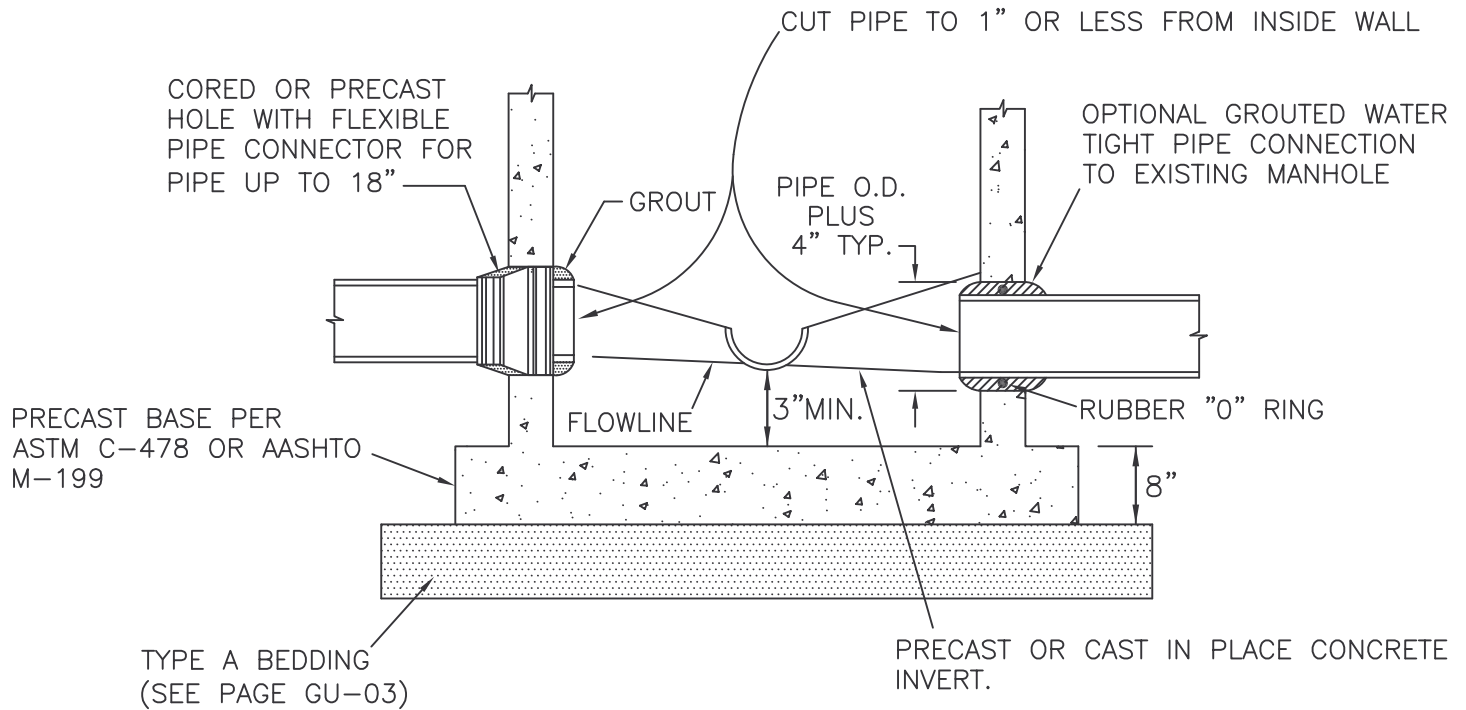
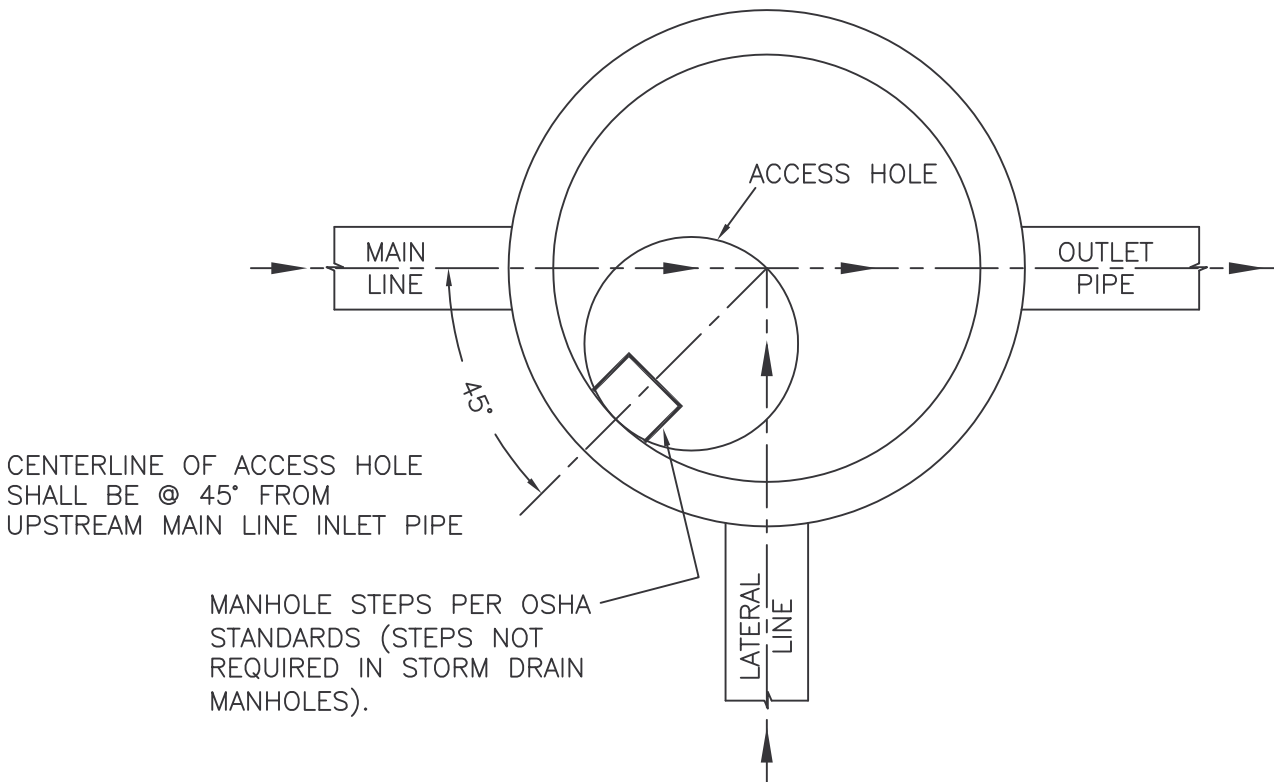


GROUT FOR PIPE CONNECTIONS SHALL BE ALL-CRETE (5 OR 20 MINUTE SET) MANUFACTURED BY FOSROC INC. OR AN APPROVED SUBSTITUTE.



PRECAST MANHOLE BASE/TIE TO EXISTING MANHOLE WITHOUT BOOT



MANHOLE ACCESS LOCATION

PRECAST MANHOLE BASE, PIPE CONNECTIONS AND ACCESS HOLE LOCATION



CLIFTON SANITATION DISTRICT

STANDARD SANITARY SEWER DETAIL

APPROVED: DN
 DATE: JULY 2005
 DRAWN: CM

PAGE SS-08