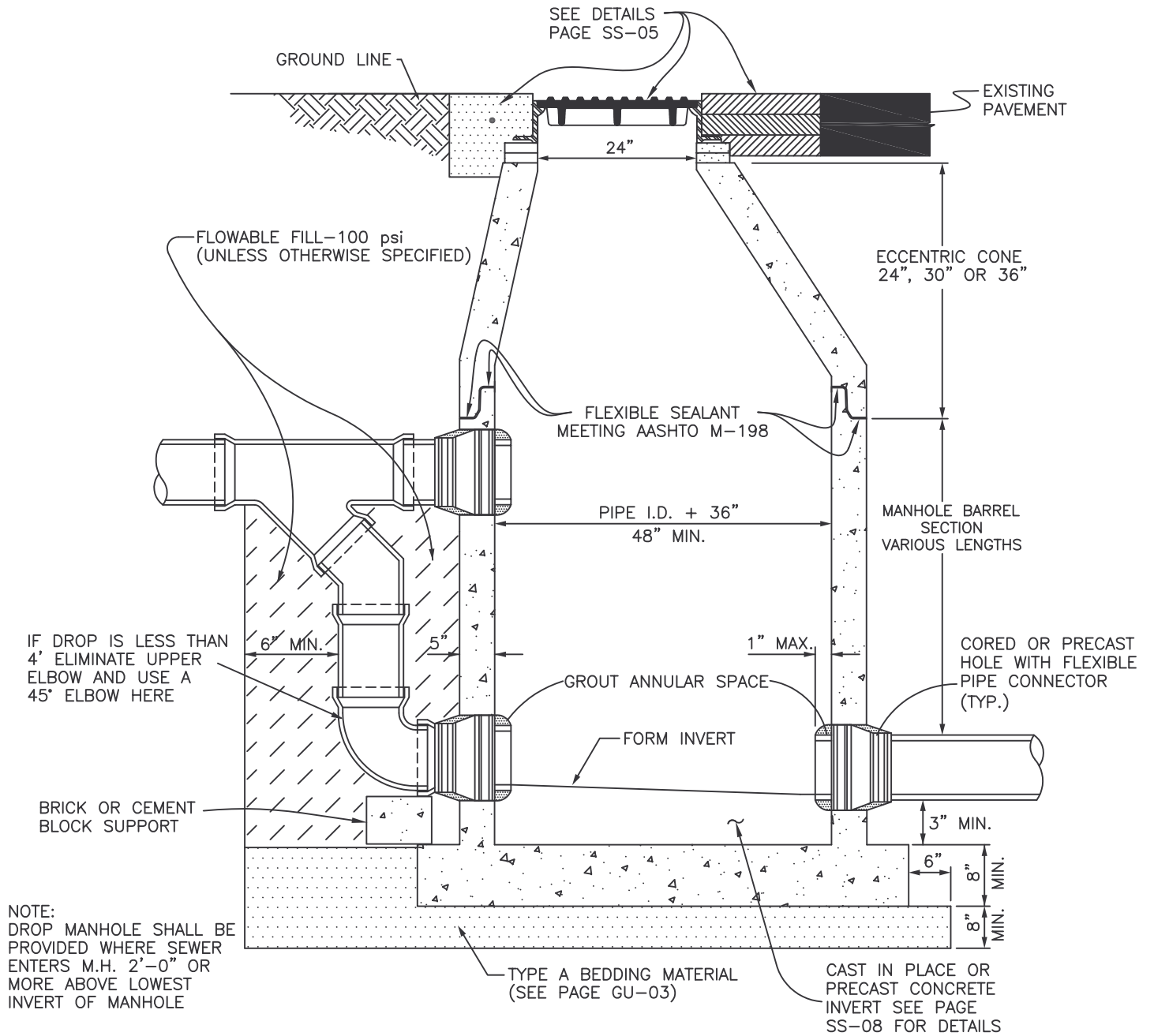


ALL PRECAST MANHOLE SECTIONS
 SHALL CONFORM TO ASTM C-478
 OR AASHTO M-199



DROP MANHOLE



CLIFTON SANITATION
 DISTRICT

STANDARD SANITARY SEWER
 DETAIL

APPROVED: DN
 REVISED: FEB. 2007
 DRAWN: TLT

PAGE
 SS-04