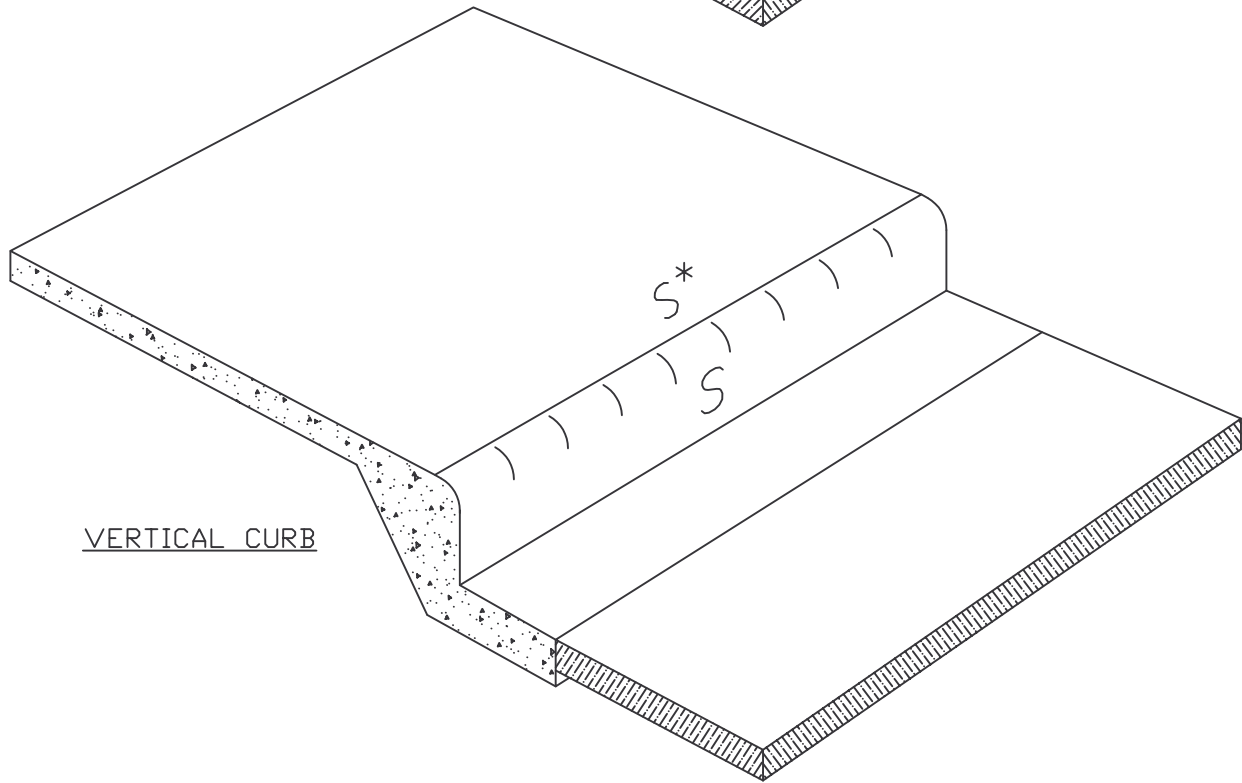


DRIVE OVER CURB



VERTICAL CURB

1. SEWER SERVICE LOCATION TO BE STAMPED IN CURB FACE MARKED "S".
2. LETTER HEIGHT SHALL BE 4 INCHES.
3. STAMP TO BE PLACED BY CONCRETE CONTRACTOR.

* ALTERNATE LOCATION FOR FORMED CURB.

CURB STAMP FOR SEWER SERVICE LOCATION



CLIFTON SANITATION
DISTRICT

GENERAL UTILITY
DETAIL

APPROVED: DN
DATE: FEB. 2005
DRAWN: TCP/DPW

PAGE
GU-05