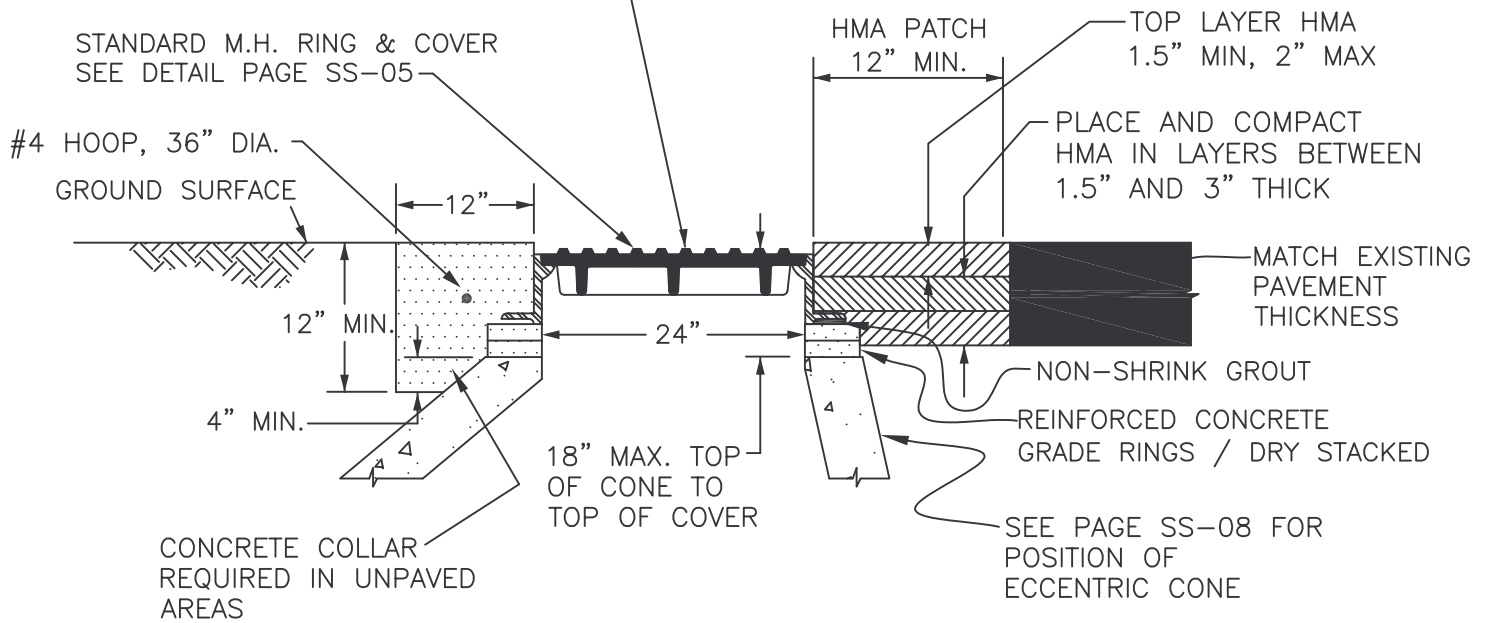
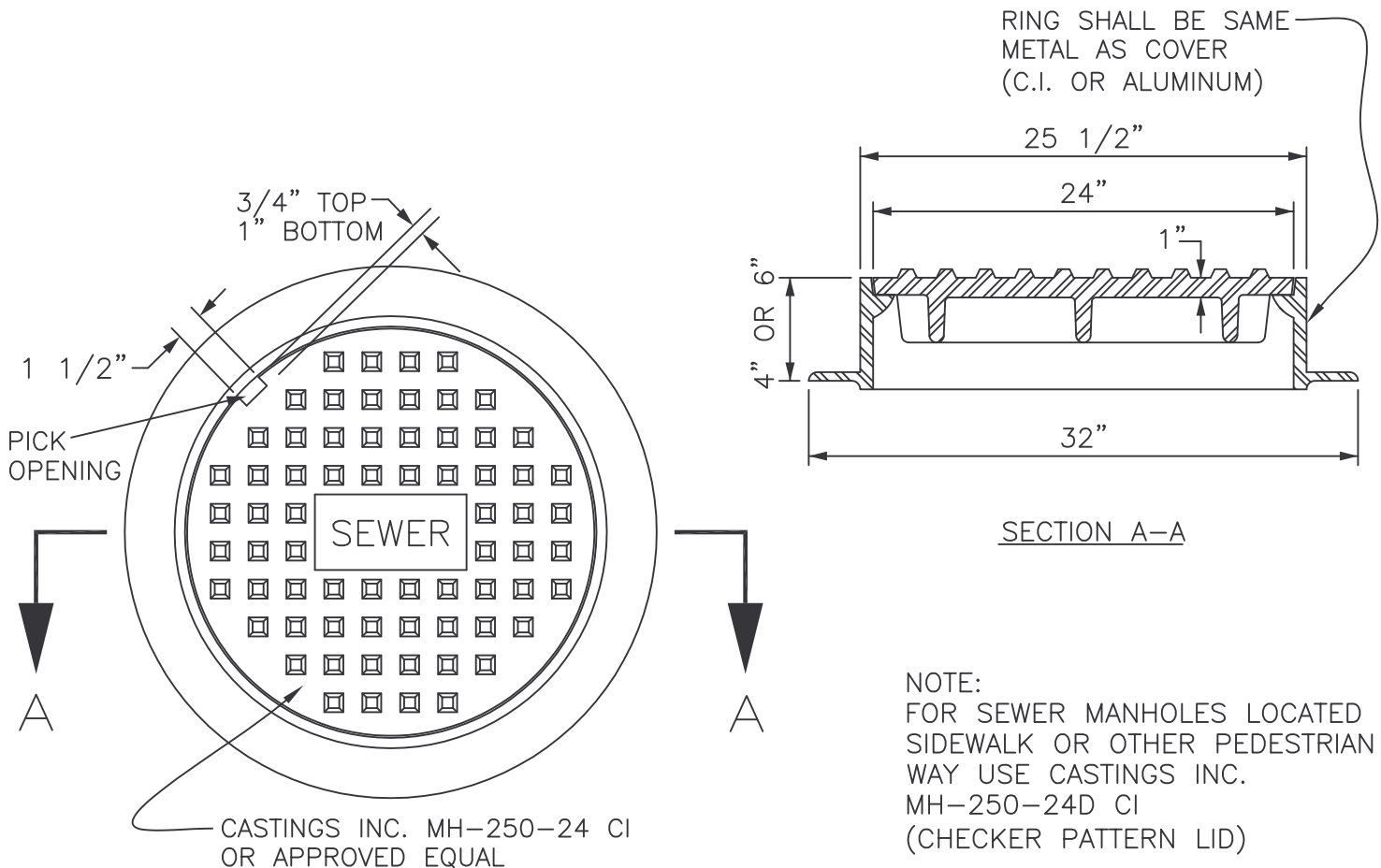


ADJUST MANHOLE RING AND COVER TO MATCH SLOPE OF PAVEMENT. TOP OF KNOBS ON MANHOLE LID SHALL BE FLUSH WITH, OR NO MORE THAN 1/8" BELOW TOP OF PAVEMENT.



DETAIL A



STANDARD MANHOLE RING AND COVER



CLIFTON SANITATION
DISTRICT

STANDARD SANITARY SEWER
DETAIL

APPROVED: DN
REVISED: FEB. 2007
DRAWN: TLT

PAGE
SS-05