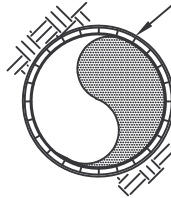
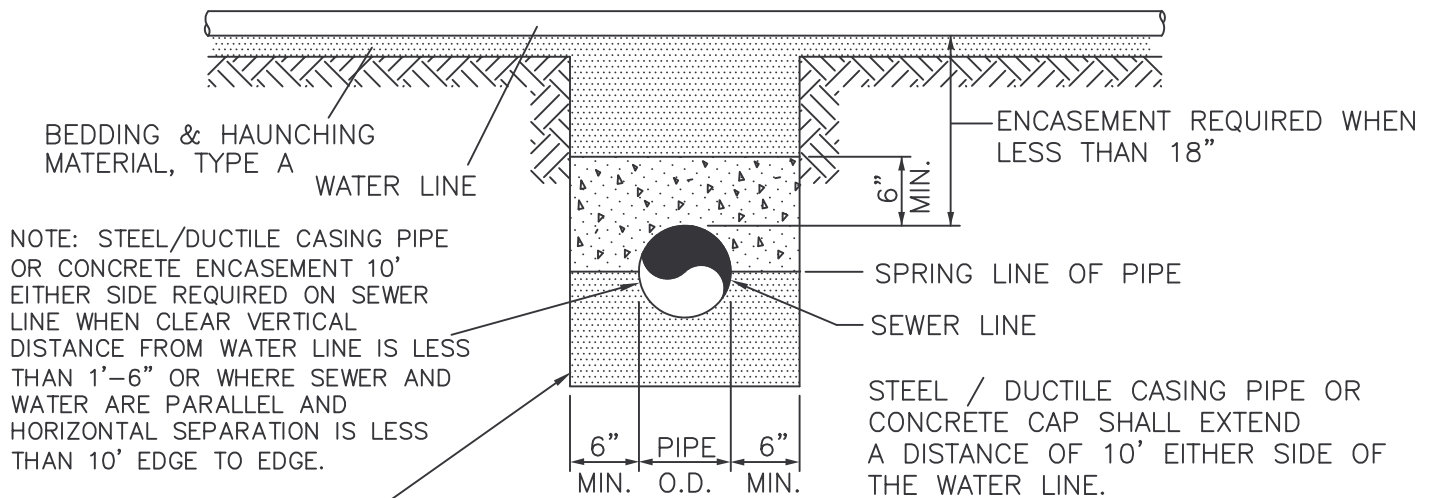


STEEL/DUCTILE CASING PIPE OR CONCRETE ENCASEMENT REQUIRED IN ALL CASES WHERE SEWER LINE IS ABOVE WATER LINE OR IS UNDER WATERWAY CROSSING.



WATER LINE BELOW SEWER LINE



BEDDING & HAUNCHING MATERIAL, TYPE A

WATER LINE ABOVE SEWER LINE

TYPICAL WATER AND SEWER LINE CROSSINGS



CLIFTON SANITATION DISTRICT

GENERAL UTILITY DETAIL

APPROVED: DN
 DATE: FEB. 2005
 DRAWN: TCP/DPW

PAGE GU-04