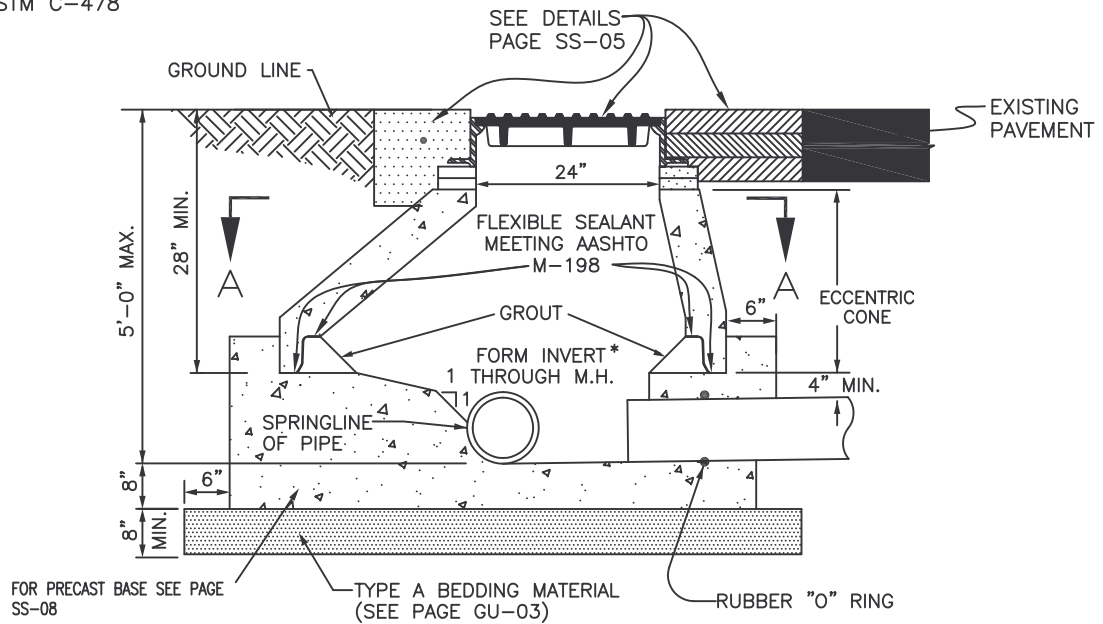
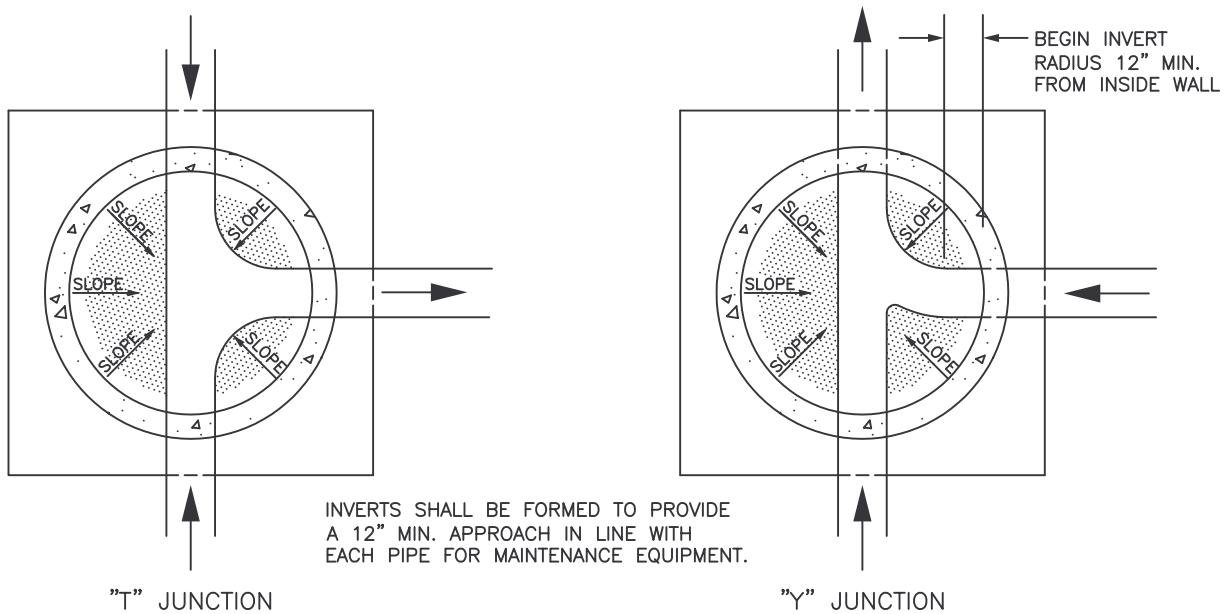


ALL PRECAST MANHOLE SECTIONS SHALL CONFORM TO ASTM C-478 OR AASHTO M-199



\* FOR IN LINE MANHOLES THE PIPE MAY BE INSTALLED THROUGH THE MANHOLE BASE AND THE TOP HALF REMOVED.

NOTE:  
MANHOLES SHALLOWER THAN SHOWN ABOVE SHALL BE APPROVED BY THE CITY UTILITY ENGINEER.



SECTION A-A

STANDARD SHALLOW MANHOLE - CAST IN PLACE BASE



CLIFTON SANITATION  
DISTRICT

STANDARD SANITARY SEWER  
DETAIL

APPROVED: DN  
REVISED: FEB. 2007  
DRAWN: TLT

PAGE  
SS-03